

CP 230VAC lifting-/pulling winch



REMA CP lifting / pulling winch 230 VAC

Properties:

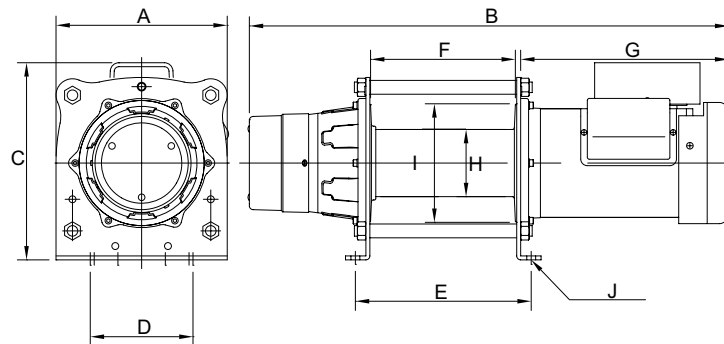
- Control cable + pushbutton cabinet with emergency stop IP65 included.
- Electronic magnet brake.
- Design with bearing.
- Steel cable + hook included.
- Planetary transmission.

Technical specifications:

- **CP-300** Motor IP44, 4 poles - 1.15 kW.
- **CP-500** Motor IP44, 4 poles - 1.8 kW.
- 230 VAC, 1 Phase, 50 Hz.

Norm:

- EN12100-1/2, EN14492



Type	WLL (kg)	Maximum pulling force on the drum (kg)	Speed 1st layer (m/min)	Cable length (m)	Cable diameter (mm)	Dimension L x B x H (mm)	Drum width (mm)	Drum diameter (mm)	Weight (kg)	ProductId
CP-300	300	600	10	30	6	565 x 210 x 241	110	94	38	2382007
CP-500	500	1000	10	60	7	694 x 260 x 299	220	102	55	2382009

Type	A (mm)	B (mm)	C (mm)	D (mm)	E (mm)	F (mm)	G (mm)	H (mm)	I (mm)	J (mm)
CP-300	210	565	241	142	142	110	280	94	154	6 x 10,5
CP-500	260	728	299	156	267	220	316	102	180	6 x 13,5

CP 400VAC lifting-/pulling winch



REMA CP lifting / pulling winch 400 VAC, 3 phase, 50Hz.

Norm:

- EN12100-1/2, EN14492

Type	WLL (kg)	Maximum pulling force on the drum (kg)	Speed 1st layer (m/min)	Cable length (m)	Cable diameter (mm)	Dimension L x B x H (mm)	Drum width (mm)	Drum diameter (mm)	Weight (kg)	ProductId
CP-T500	500	1000	10	60	7	694 x 260 x 299	220	102	55	2382109

Type	A (mm)	B (mm)	C (mm)	D (mm)	E (mm)	F (mm)	G (mm)	H (mm)	I (mm)	J (mm)
CP-T500	260	728	299	156	267	220	316	102	180	6 x 13,5